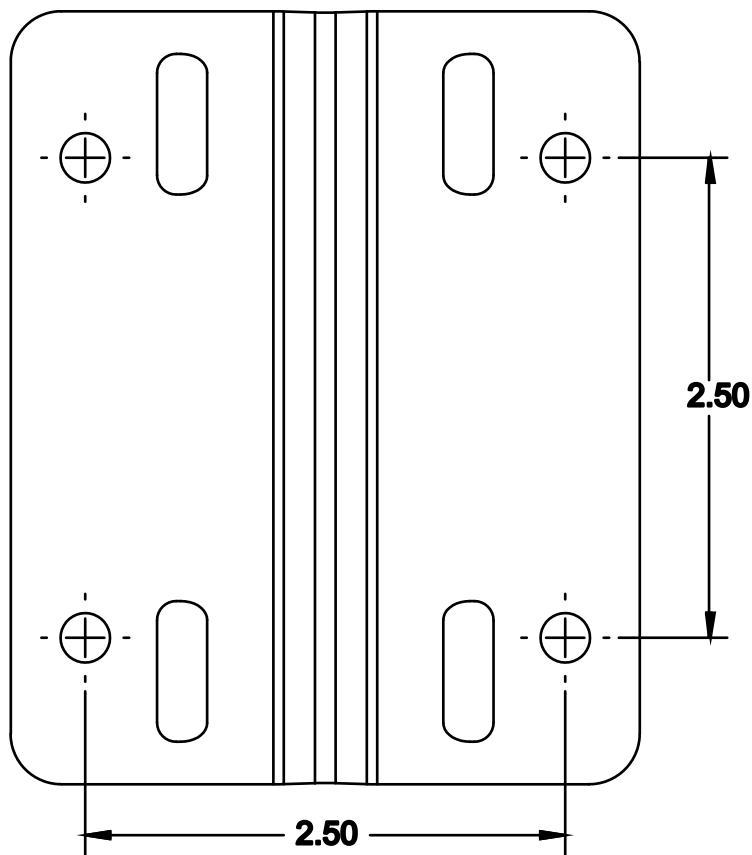


HDMNT

Heavy Duty Mounting Bracket

Assembly and Mounting Options



MOUNTING

For your convenience, a full-sized drill template is provided to assist with mounting-hole location. Avoid sharp bends or kinks in the coaxial cable when routing the antenna feedline, and tighten all hardware and connectors firmly.

Parts List

Model HDMNT

ITEM	P/N	DESCRIPTION	QTY
1	507582	BRACKET, FLANGE	2
2	507583	BRACKET, LINKAGE	1
3	013402	5/16 FLAT WASHER	4
4	010119	5/16 LOCK WASHER	2
5	017844	5/16 X 1-5/8 HEX HEAD BOLT	2
6	010118	5/16 NUT	2
7	017845	DOUBLE SERRATED LOCK WASHER	2
8	017868	1/4 FLAT WASHER	8
9	010084	1/4 LOCK WASHER	8
10	010085	1/4 NUT	4
11	037860	CLAMP	2
12	027871	EXPANSION ANCHOR	4
13	015294	1/4 X 1-3/4 HEX HEAD BOLT	4

LIMITED WARRANTY

LAIRD TECHNOLOGIES, P.O. BOX 4680, MANCHESTER, NEW HAMPSHIRE 03108, WARRANTS TO THE ORIGINAL CONSUMER PURCHASER FOR TWO YEARS FROM DATE OF PURCHASE THAT EACH LAIRD TECHNOLOGIES ANTENNA IS FREE OF DEFECTS IN MATERIAL OR WORKMANSHIP. IF, IN THE JUDGMENT OF LAIRD, ANY SUCH ANTENNA IS DEFECTIVE, THEN LAIRD TECHNOLOGIES WILL, AT ITS OPTION, REPAIR OR REPLACE THE ANTENNA AT ITS EXPENSE WITHIN THIRTY DAYS OF THE DATE THE ANTENNA IS RETURNED (AT PURCHASER'S EXPENSE) TO LAIRD OR ONE OF ITS AUTHORIZED REPRESENTATIVES. THIS WARRANTY IS IN LIEU OF ALL OTHER EXPRESSED WARRANTIES, ANY IMPLIED WARRANTY IS LIMITED IN DURATION TO ONE YEAR. LAIRD TECHNOLOGIES SHALL NOT BE LIABLE FOR ANY INCIDENTAL OR CONSEQUENTIAL DAMAGES WHICH MAY RESULT FROM A DEFECT. SOME STATES DO NOT ALLOW LIMITATIONS ON HOW LONG AN IMPLIED WARRANTY LASTS OR EXCLUSIONS OR LIMITATIONS OF INCIDENTAL OR CONSEQUENTIAL DAMAGES, SO THE ABOVE LIMITATION AND EXCLUSION MAY NOT APPLY TO YOU. THIS WARRANTY GIVES YOU SPECIFIC LEGAL RIGHTS, AND YOU MAY ALSO HAVE OTHER RIGHTS WHICH VARY FROM STATE TO STATE. THIS WARRANTY DOES NOT EXTEND TO ANY PRODUCTS WHICH HAVE BEEN SUBJECT TO MISUSE, NEGLIGENCE, ACCIDENT OR IMPROPER INSTALLATION, ANY REPAIRS OR ALTERATIONS OUTSIDE OF THE LAIRD TECHNOLOGIES FACTORY WILL NULLIFY THIS WARRANTY.

SPECIFICATIONS SUBJECT TO CHANGE WITHOUT NOTICE

Warranty and Liability

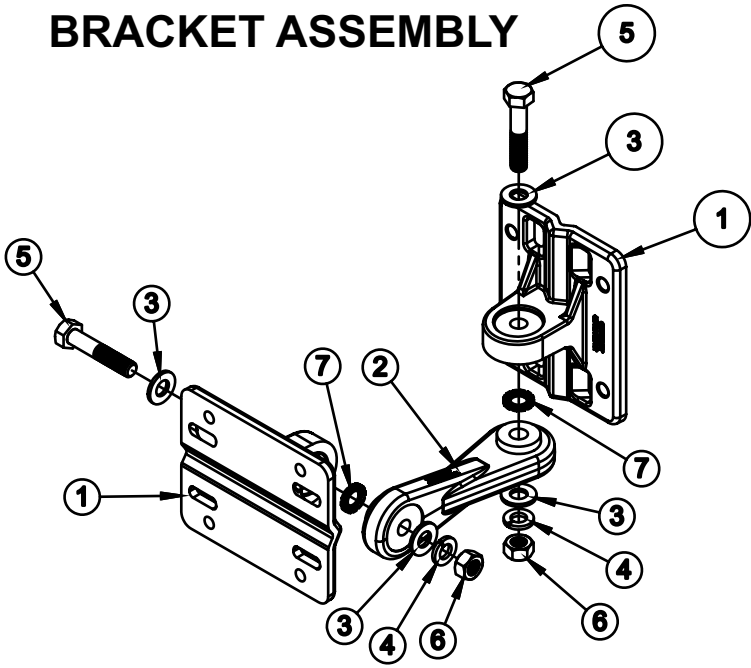
LAIRD TECHNOLOGIES shall not be liable for any incidental or consequential damages which may result from a defective, or use, or improper or otherwise or installation, improper or otherwise.
Please contact your vendor for technical support and warranty service



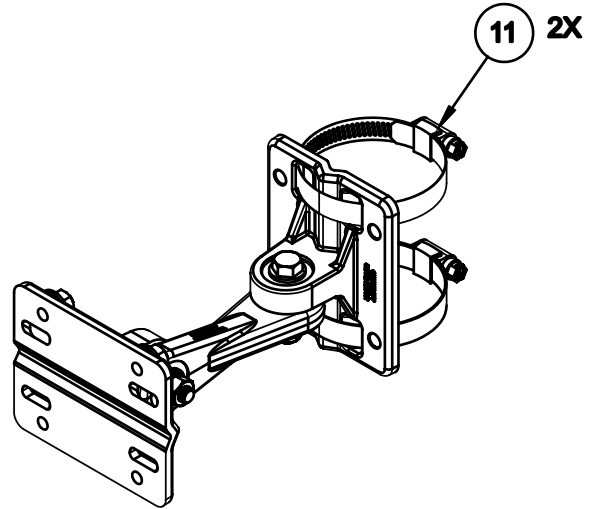
48 PERIMETER ROAD, MANCHESTER, NH 03103
Tel: 603-627-7877-Fax: 603-627-1764
email: sales@cushcraft.com - web: www.cushcraft.com

958242_GF_AA

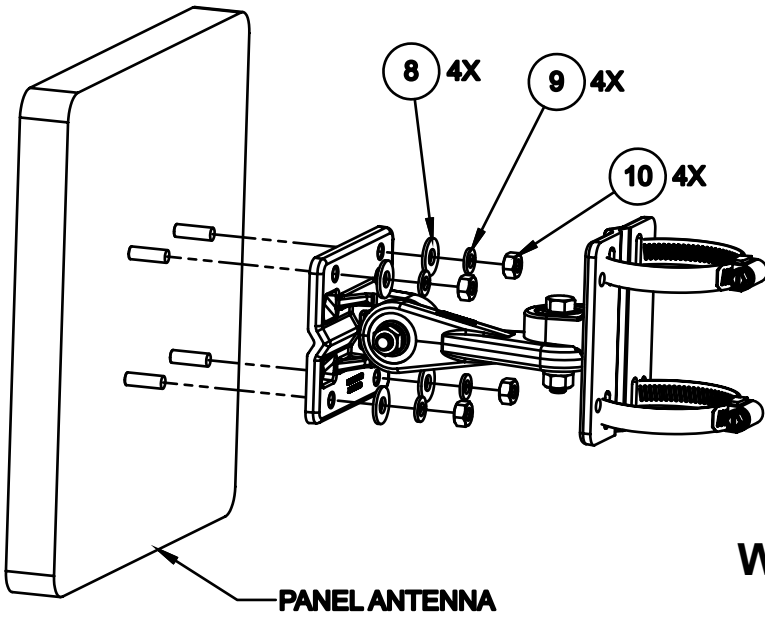
BRACKET ASSEMBLY



MAST MOUNT CONFIGURATION



ANTENNA INSTALLATION



WALL MOUNT CONFIGURATION

