

902-928 MHz Circular Polarized UHF RFID Antenna

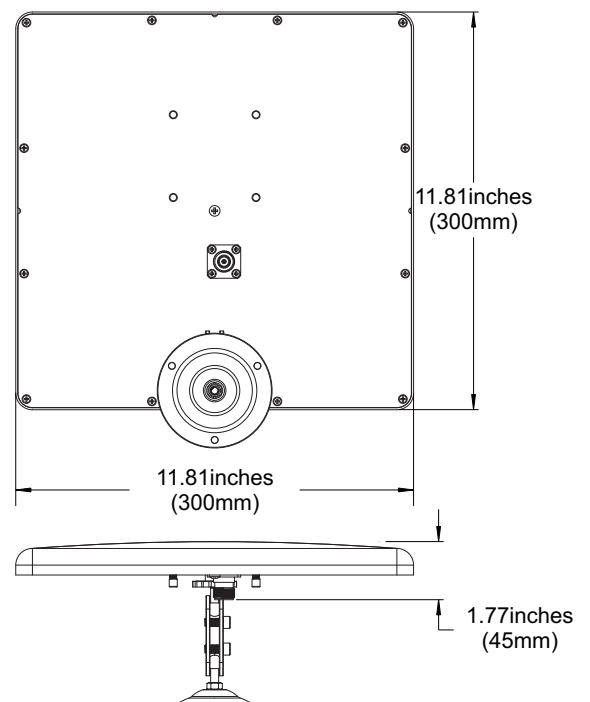
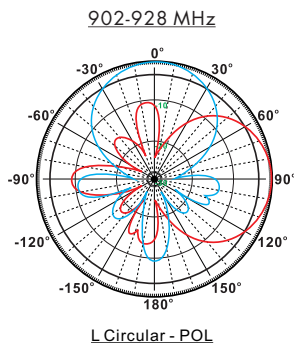
Model: CP12X12

Electrical Data

Frequency:	902-928 MHz
Gain:	9 dBi
VSWR:	<1.5:1
Polarization:	Circular Polarization
Horizontal Beamwidth :	60°
Vertical Beamwidth:	60°
Nominal Impedance:	50 Ohms
F/B Ratio:	>19 dB
Max Input Power:	100 W
Lightning Protection:	DC Ground

Mechanical Data

Connector :	N Female
Dimensions:	300*300*45mm
length*width*height	/11.81*11.81*1.77in
Weight:	1.35kg/2.97lb
Radome Material:	Weatherproof ABS
Mounting Method:	Wall Mount
Rated Wind Velocity:	210km/h
Operating temperature:	-40~+65°C



Installation Guide

Model: CP12X12

