

# INVENGO XC-AF26 HIGH GAIN ANTENNA



## About Invengo's XC-AF26 High Gain Antenna

Invengo's XC-AF26 antenna offers high gain, ruggedness and excellent shock and vibration resistance in a clean, durable, easy to install design. The XC-AF26 antenna comes in both Linear and Circular polarized versions, making them ideal for asset tracking, logistics and vehicle tracking applications.



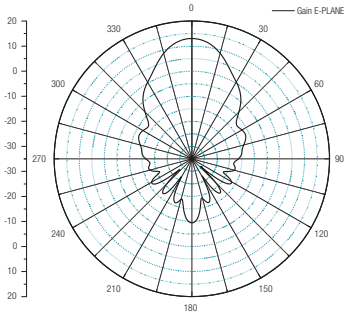
Invengo – the global RFID technology provider – is a leading developer and manufacturer of high quality, intelligent RAIN RFID (UHF) and NFC (HF) inlays, tags and connectivity solutions utilized in the Internet of Things (IoT). With a focus on RFID innovation, Invengo has created a leading product line in retail, library, pharmaceutical, healthcare, (public) transportation and many other industries.

Invengo Technology Pte. Ltd. (SG) is the International Headquarters of Invengo Information Technology Co. Ltd, listed on Shenzhen Stock Exchange (SZSE: 002161.SZ). Employing over 500 people globally, Invengo is one of the largest publicly traded, RFID oriented companies in the world.

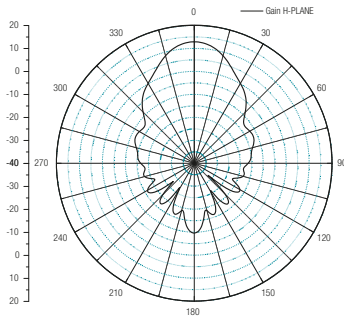
## Features

- Operating Frequency  
840 ~ 868 MHz and 902 ~ 928 MHz
- High Gain
- Excellent vibration and shock resistance
- Linear or Circular Polarization
- Low VSWR
- Protection Level: IP65
- Durable and clean design
- Simple installation and maintenance

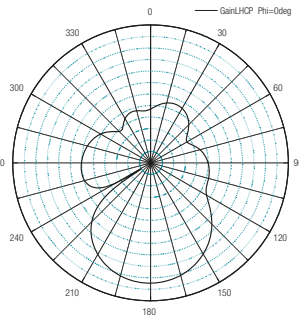
## Radiation Pattern



### E Phase



### H Phase



## Product Specifications

### Performance Parameter

<b>Operating Frequency</b>	840 ~ 868 MHz
	902 ~ 928 MHz
<b>VSWR</b>	≤ 1.5:1
<b>Gain</b>	> 12 dBi
<b>H-Plane HPBW</b>	45°
<b>E-Plane HPBW</b>	45°
<b>Polarization</b>	Linear or Circular
<b>Antenna Impedance</b>	50 Ω

### Environmental

<b>Operating Temperature</b>	-40°C to 70°C (-40°F to 158°F)
<b>Storage Temperature</b>	-40°C to 70°C (-40°F to 158°F)
<b>Humidity Range</b>	5% ~ 95% RH
<b>Protection Level</b>	IP65

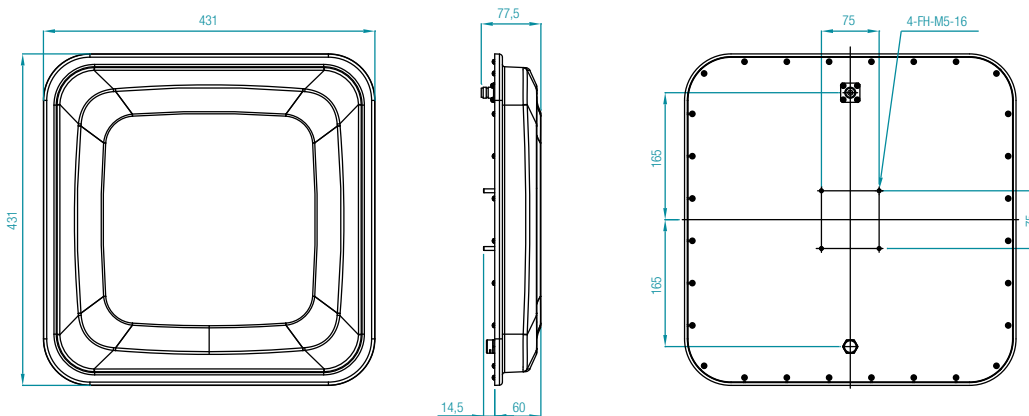
### Physical Parameters

<b>Dimensions</b>	431 x 431 x 60 mm
	16.97 x 16.97 x 2.36 in
<b>Weight</b>	Approx. 3,3 kg / 7.3 Lbs
<b>Case Material</b>	Plastic ASA, Aluminium

### Models

<b>Linear</b>	XC-AF26L-FCC (902~928MHz)
<b>Circular</b>	XC-AF26CP-FCC (902~928MHz)
	XC-AF26CP-ETSI (840~868MHz)

## Mounting Bracket



## RFID Solutions

[www.rfidsolutionsinc.com](http://www.rfidsolutionsinc.com)

[sales@rfidsolutionsinc.com](mailto:sales@rfidsolutionsinc.com)

561 271 1727