

INVENGO XC-AF12 HIGH PERFORMANCE



About Invengo's XC-AF12 High Performance Antenna

Invengo XC-AF12 antenna offers high gain, ruggedness and excellent shock and vibration resistance in a unique design. The XC-AF12 circular polarized antenna is ideal for transportation, logistics, warehousing and asset tracking applications.



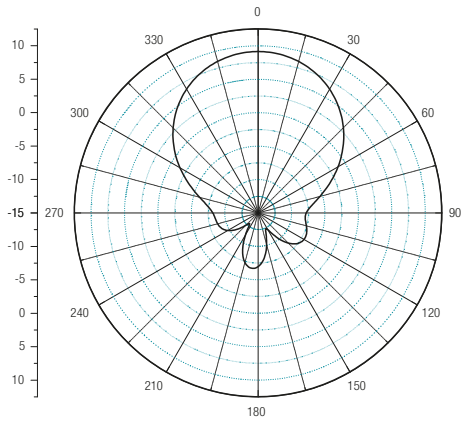
Invengo – the global RFID technology provider – is a leading developer and manufacturer of high quality, intelligent RAIN RFID (UHF) and NFC (HF) inlays, tags and connectivity solutions utilized in the Internet of Things (IoT). With a focus on RFID innovation, Invengo has created a leading product line in retail, library, pharmaceutical, healthcare, (public) transportation and many other industries.

Invengo Technology Pte. Ltd. (SG) is the International Headquarters of Invengo Information Technology Co. Ltd, listed on Shenzhen Stock Exchange (SZSE: 002161.SZ). Employing over 500 people globally, Invengo is one of the largest publicly traded, RFID oriented companies in the world.

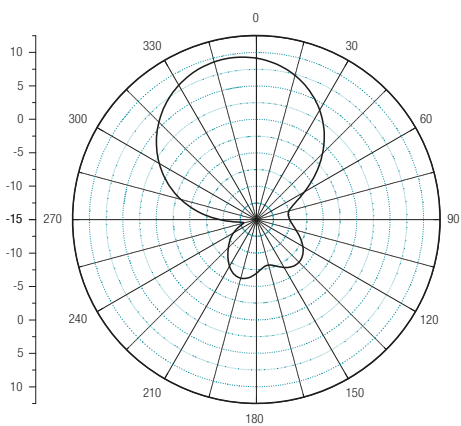
Features

- Operating Frequency
840 ~ 868 MHz and 902 ~ 928 MHz
- High Gain
- Circular Polarization
- Low VSWR
- Protection Level: IP65
- Durable and clean design
- Simple installation and maintenance

Radiation Pattern

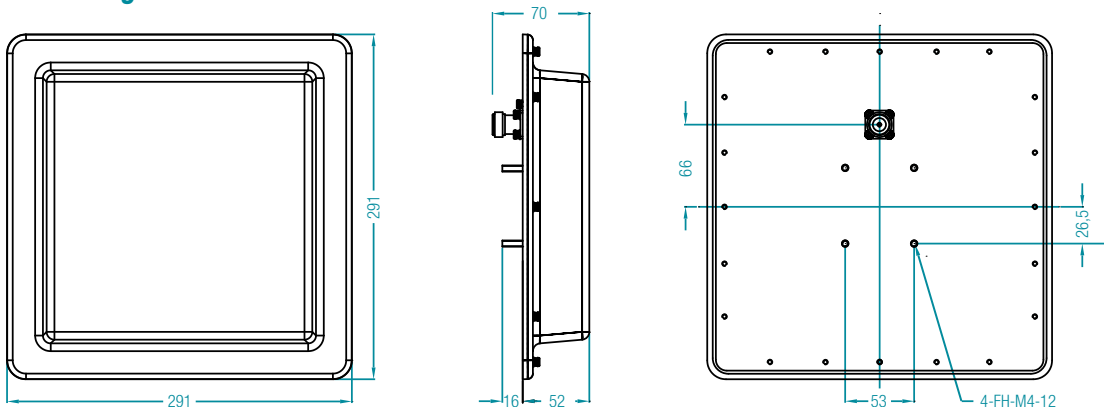


E Phase



H Phase

Mounting Bracket



Product Specifications

Performance Parameter

Operating Frequency	840 ~ 868 Mhz
	902 ~ 928 MHz
VSWR	≤ 1.3:1
Gain	7.15 dBi
H-Plane HPBW	60°
E-Plane HPBW	60°
Polarization	Circular
Antenna Impedance	50 Ω

Environmental

Operating Temperature	-40°C to 70°C (-40°F to 158°F)
Storage Temperature	-40°C to 70°C (-40°F to 158°F)
Humidity Range	5% ~ 95% RH
Protection Level	IP65

Physical Parameters

Dimensions	291 x 291 x 52 mm
	11.5 x 11.5 x 2 in
Weight	Approx. 0,91 kg / 2.0 Lbs
Case Material	Plastic ASA, Aluminium

Models

ID	XC-AF12
-----------	---------

RFID Solutions

www.rfidsolutionsinc.com

sales@rfidsolutionsinc.com

561 271 1727